

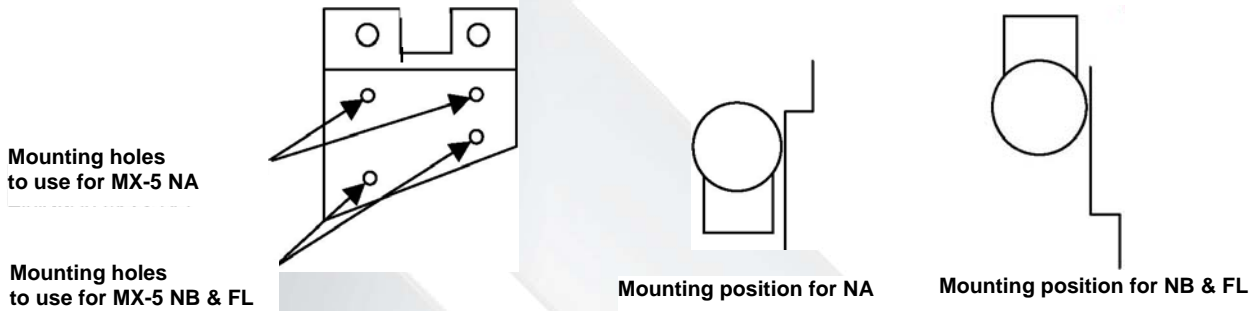


I.L. MOTORSPORT

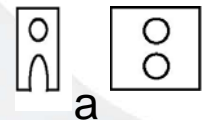
Installation Instruction

trunk release
NAB-6515

Remove the carpet cover from inside the boot by releasing the plastic pegs.
Install the actuator motor to the steel mounting plate.



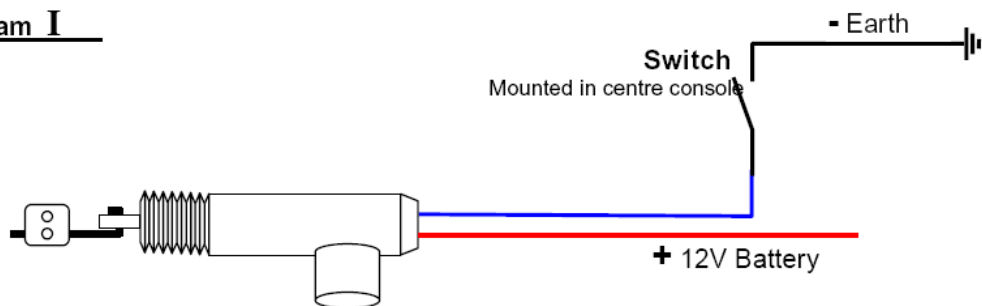
Unscrew the fixing nuts for the trunk key lock and mount the steel mounting plate and motor here.
Hook the steel operating rod through the motor and shorten it to the required length.
Connect the rod to the operating linkage on the catch by means of the adaptor (a).



Cars without Trunk Release

Mount the push button into the centre console by drilling a hole (you can place it inside the cubby box).
The unit can now be wired up. (See Wiring Diagram I)

Wiring Diagram I





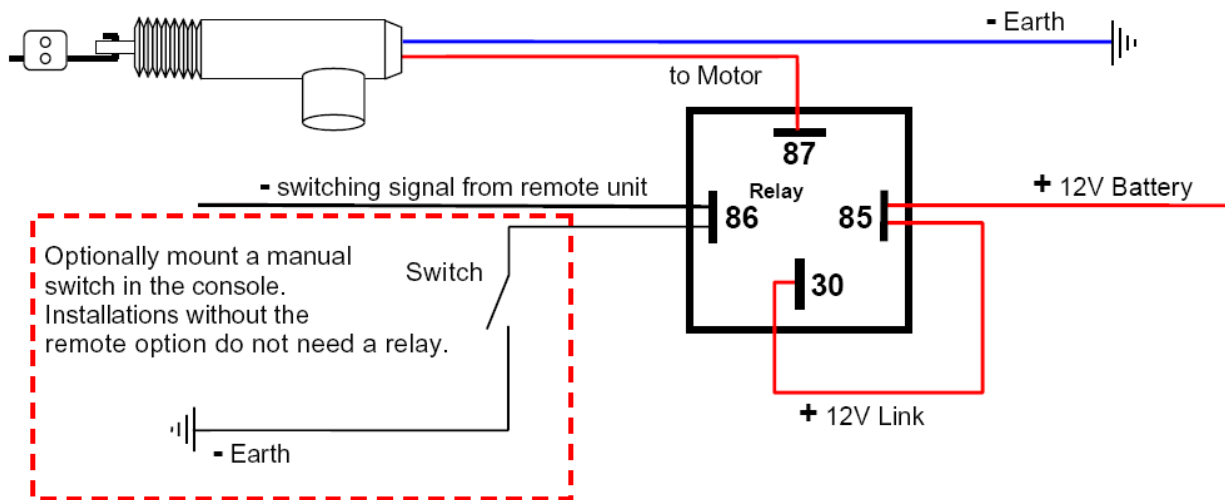
Installation Instruction

trunk release
NAB-6515

Operate the trunk release by means of a remote unit

If you wish to operate the trunk release by means of a remote unit (eg an alarm) you will need to purchase a relay and follow the second wiring diagram. (See Wiring Diagram II or III)

Wiring Diagram II (negativ switching signal from remote unit)



Wiring Diagram III (positiv switching signal from remote unit)

